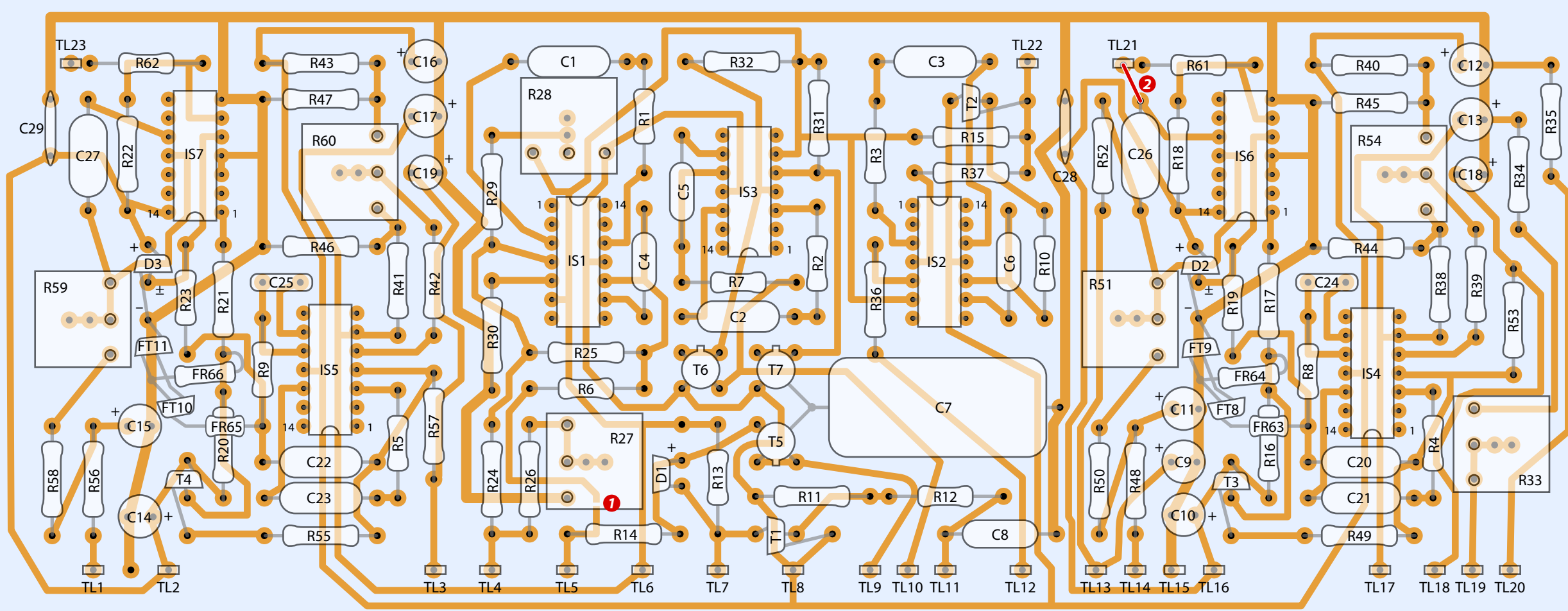
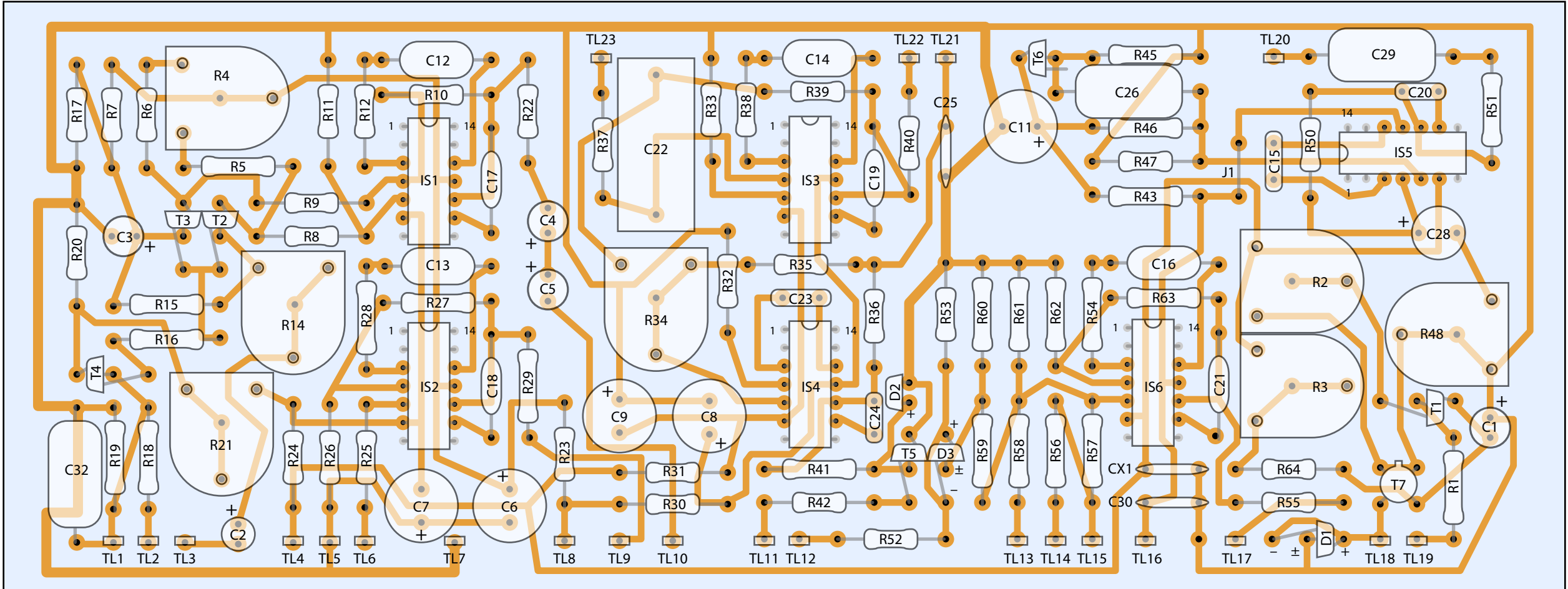
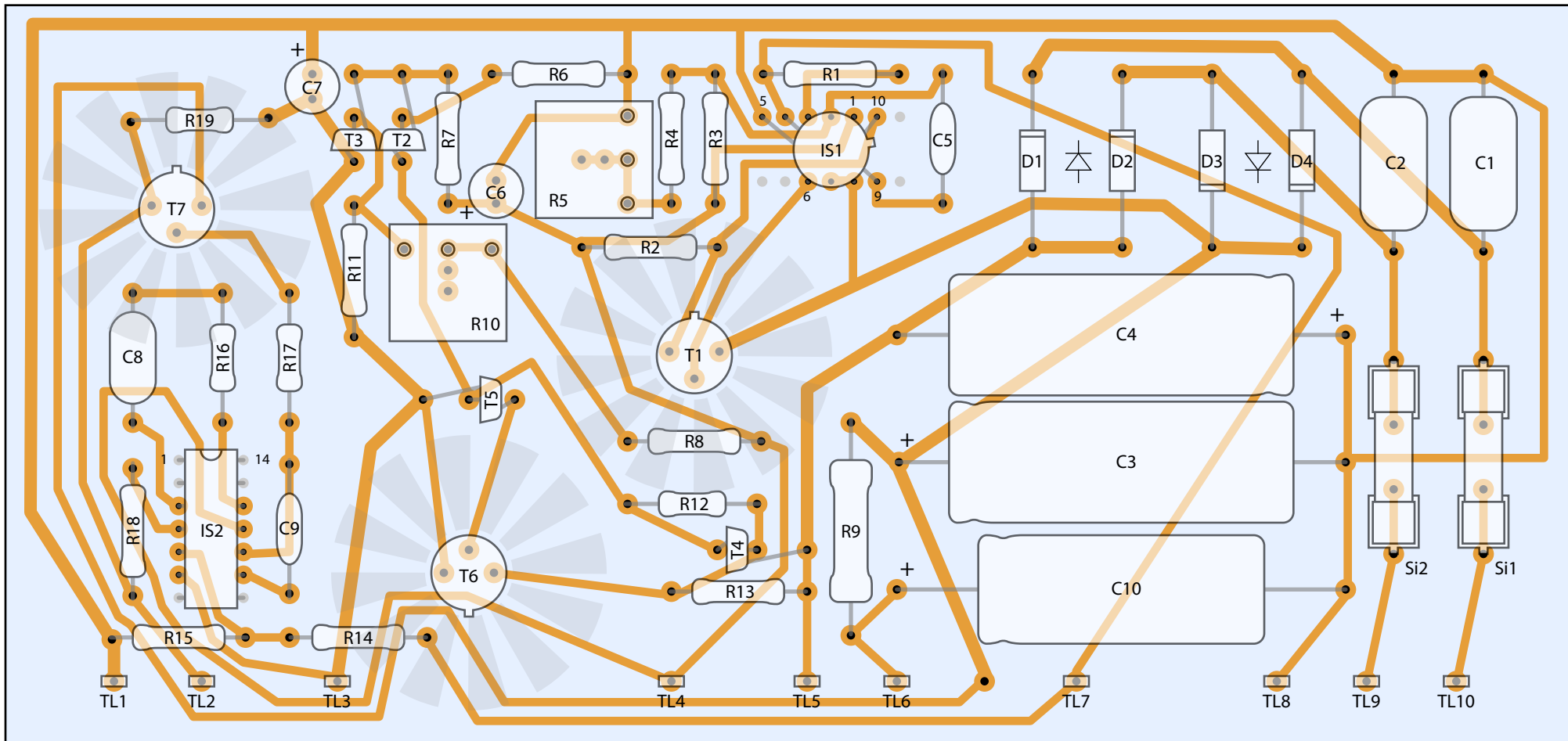
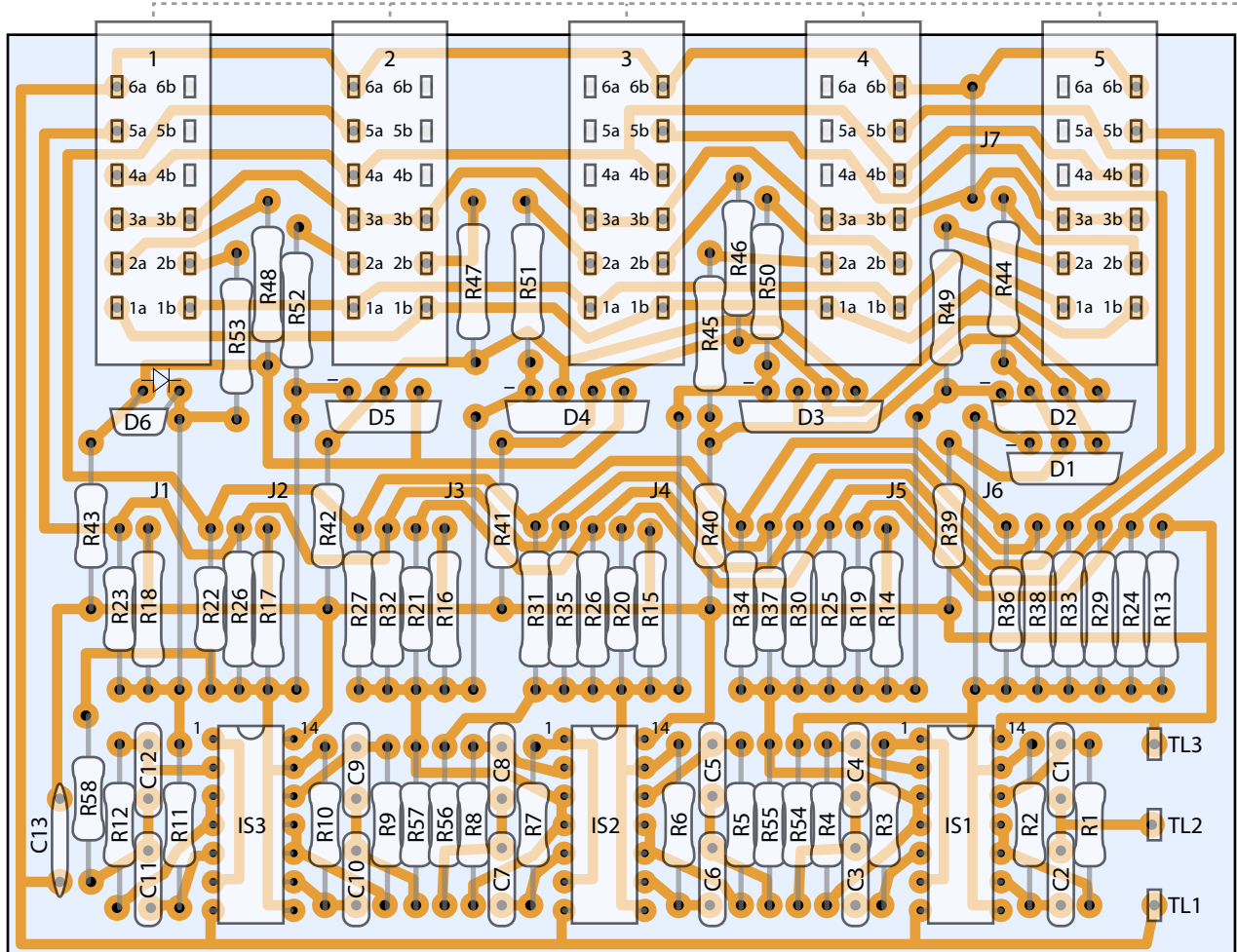


↓ 1: probably deliberate cut anomalies found on this board ↓  
2: probably accidental connection ↓









FW1: Radiobutton Set S4  
FW2: Radiobutton Set S5

